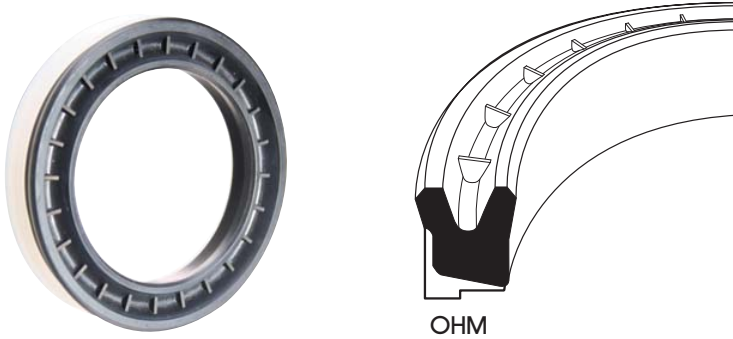


## Piston Seals (Single Acting)

OHM

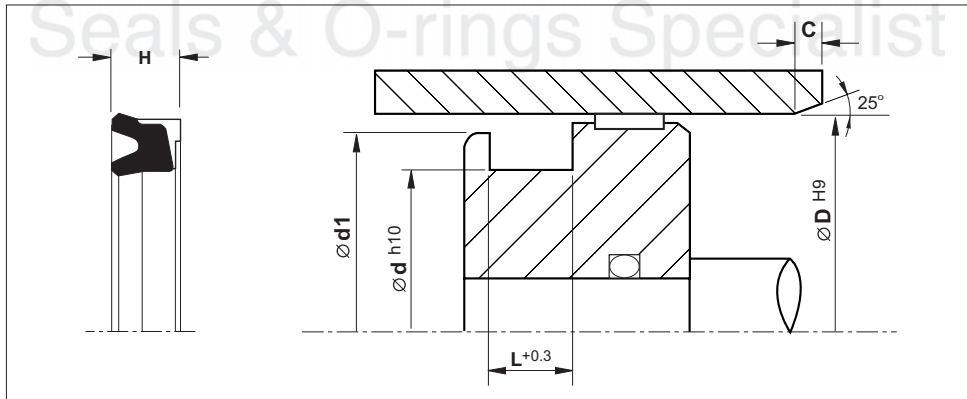
(Imperial Size)



Material	Pressure (Bar)	Temp. (°C)	Speed (m/s)
NBR+Nylon	250	-30 +100	0.5

- Good resistance to clearance extrusion.
- Simple construction groove.
- Excellent wear resistance.

### Installation Recommendation



Surface roughness	Ra	Rt	Chamfers	
Sliding surface	$\leq 0.3 \mu\text{m}$	$\leq 4 \mu\text{m}$	D	C
Surface of housing	$\leq 1.8 \mu\text{m}$	$\leq 10 \mu\text{m}$	32-63	4.0
Sides of housing	$\leq 3.0 \mu\text{m}$	$\leq 16 \mu\text{m}$	63-100	5.0
			100-140	6.0
			140-250	7.0