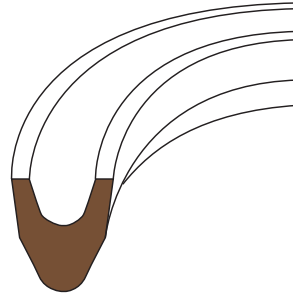


Rod Seals

DM

(Metric Size)

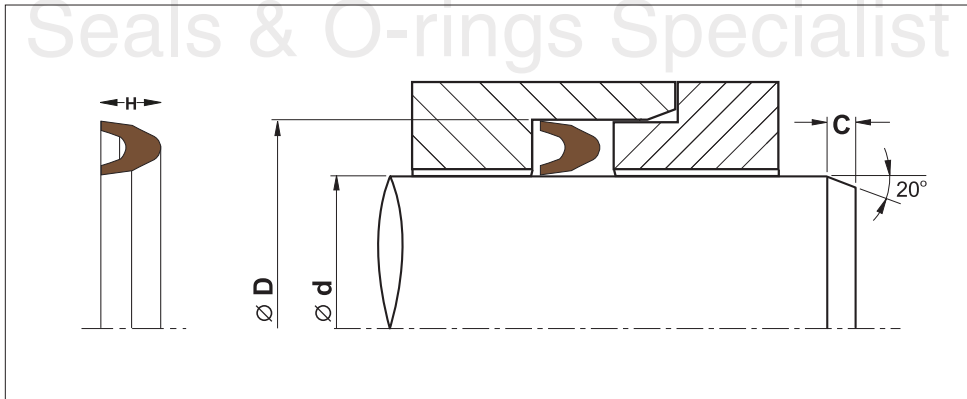


DM

Material	Pressure (Bar)	Temp. (°C)	Speed (m/s)
COTTON FABRIC NBR	250	-30°C +80°C	2.0

- Capable of standing pressure changes
- Long service life
- Works in water and water-oil mixture media
- Adjustable housing

Installation Recommendation



Surface roughness	Ra	Rt	Chamfers	
Sliding Surface ϕd	$\leq 0.3 \mu\text{m}$	$\leq 4 \mu\text{m}$	D	C
Groove Base ϕD	$\leq 1.5 \mu\text{m}$	$\leq 10 \mu\text{m}$	< 60	4.0
			60-120	5.0
			120-180	6.5
			180-250	7.5
			250-500	10.0

Note: It is recommended to have 50% to 90% of the working surface material contact area value.

- ต้องการข้อมูลเพิ่มเติมหรือรายละเอียดเพิ่มเติมติดต่อที่ โทร. 02-8810555 •

Rod Water Pumps



(Metric Size)

Rod Dia.	Groove Dia.	Seal Height	Groove Width	Reference	Reference
d	D	H	d1		
15	24	5.0	6	DM-015-024-5.0	K150-024
15	25	5.0	6	DM-015-025-5.0	K150-025
15	28	6.5	7	DM-015-028-6.5	K150-028
15	30	7.5	8	DM-015-030-7.5	K150-030
16	30	7.0	8	DM-016-030-7.0	K150-030/1
18	26	5.0	6	DM-018-026-5.0	K150-026
18	28	5.5	6	DM-018-028-5.5	K150-028/1
18	28	6.0	6	DM-018-028-6.0	K150-028/2
18	30	6.0	7	DM-018-030-6.0	K150-030/2
18	32	7.1	8	DM-018-032-7.1	K150-032
18	34	6.0	8	DM-018-034-6.0	K150-034
20	30	5.5	6	DM-020-030-5.5	K150-030/3
20	32	6.7	7	DM-020-032-6.7	K150-032/1
20	35	7.5	8	DM-020-035-7.5	K150-035
20	37	7.5	9	DM-020-037-7.5	K150-037/1
22	32	5.7	6	DM-022-032-5.7	K150-032/2
22	35	7.0	7	DM-022-035-7.0	K150-035/1
22	38	8.5	8	DM-022-038-8.5	K150-038
24	35	6.0	7	DM-024-035-6.0	K150-035/2
25	35	5.5	6	DM-025-035-5.5	K150-035/3
25	37	6.7	7	DM-025-037-6.7	K150-037
25	38	7.0	7	DM-025-038-7.0	K150-038/1
28	38	6.1	6	DM-028-038-6.1	K150-038/2
30	45	7.5	8	DM-030-045-7.5	K150-045
36	48	6.0	7	DM-036-048-6.0	K150-048
36	56	10.0	9	DM-036-056-10.0	K150-056
38	48	6.0	6	DM-038-048-6.0	K150-048
45	60	7.5	8	DM-045-060-7.5	K150-060
50	60	5.5	6	DM-050-060-5.5	K150-060/1
50	65	7.5	8	DM-050-065-7.5	K150-065
55	65	5.5	6	DM-055-065-5.5	K150-065/1
55	70	7.5	8	DM-055-070-7.5	K150-070
60	76	8.0	8	DM-060-076-8.0	K150-076
65	80	7.5	8	DM-065-080-8.0	K150-080