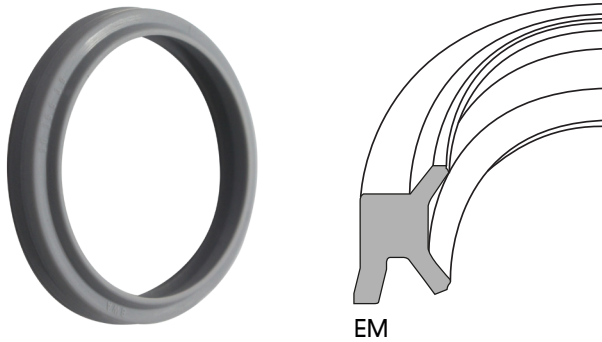


Rod Seals & Wiper

EM

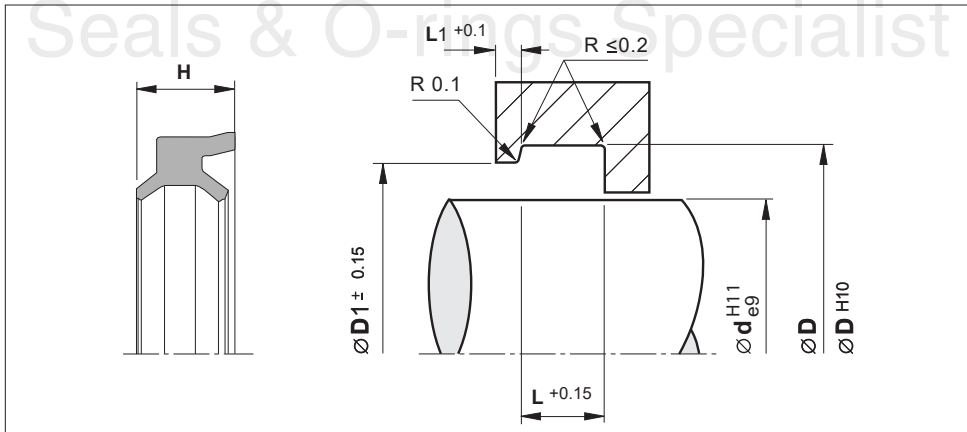
(Metric Size)



| Material | Pressure (Bar) | Temp. (°C) | Speed (m/s) |
|----------|----------------|------------|-------------|
| TPU | 16 | -30/+80 | 1 |

- Bi-functional element: rod seal and wiper
- Extreme wear resistance
- Available in both Ultrathane and rubber materials

Installation Recommendation



| Surface roughness | Ra | Rt |
|--------------------|----------|---------|
| Sliding surface | ≤ 0.3 μm | ≤ 4 μm |
| Surface of housing | ≤ 1.8 μm | ≤ 10 μm |
| Sides of housing | ≤ 3.0 μm | ≤ 16 μm |

- ต้องการข้อมูลเพิ่มเติมหรือรายละเอียดเพิ่มเติมติดต่อที่ โทร. 02-8810555 •

Rod Seals & Wiper - EM



(Metric Size)

| Packing & Groove dimension | | | | | | Reference |
|----------------------------|------|-----|------|------|-----|---------------|
| d | D | H | D1 | L | L1 | |
| 3 | 5.6 | 2.8 | 4.6 | 2.7 | 0.6 | EM 0302 P5010 |
| 4 | 7.0 | 2.8 | 5.6 | 2.7 | 0.8 | EM 0407 P5010 |
| 5 | 8.0 | 2.8 | 7.1 | 2.7 | 0.8 | EM 0508 P5010 |
| 6 | 9.0 | 2.8 | 8.1 | 2.7 | 1.0 | EM 0609 P5010 |
| 8 | 11.5 | 3.2 | 10.1 | 3.0 | 1.0 | EM 0811 P5010 |
| 10 | 14.0 | 3.7 | 12.1 | 3.4 | 1.2 | EM 1014 P5010 |
| 12 | 16.5 | 4.0 | 14.1 | 3.7 | 1.2 | EM 1214 P5010 |
| 14 | 18.5 | 4.0 | 16.1 | 3.7 | 1.2 | EM 1418 P5010 |
| 16 | 20.5 | 4.0 | 18.1 | 3.7 | 1.2 | EM 1620 P5010 |
| 18 | 22.5 | 4.0 | 20.1 | 3.7 | 1.2 | EM 1822 P5010 |
| 20 | 25.0 | 2.6 | 23.1 | 4.15 | 1.2 | EM 2025 P5010 |
| 22 | 27.0 | 4.6 | 23.9 | 4.15 | 1.2 | EM 2227 P5010 |
| 25 | 30.0 | 4.6 | 26.9 | 4.15 | 1.2 | EM 2530 P5010 |
| 30 | 35.5 | 5.0 | 32.1 | 4.55 | 1.2 | EM 3035 P5010 |
| 32 | 37.5 | 5.0 | 34.1 | 4.55 | 1.2 | EM 3237 P5010 |
| 35 | 40.5 | 5.0 | 37.1 | 4.55 | 1.2 | EM 3505 P5010 |
| 45 | 51.0 | 5.5 | 47.2 | 4.9 | 1.4 | EM 4505 P5010 |
| 63 | 69.5 | 6.0 | 65.4 | 5.4 | 1.4 | EM 6306 P5010 |

Seals & O-rings Specialist