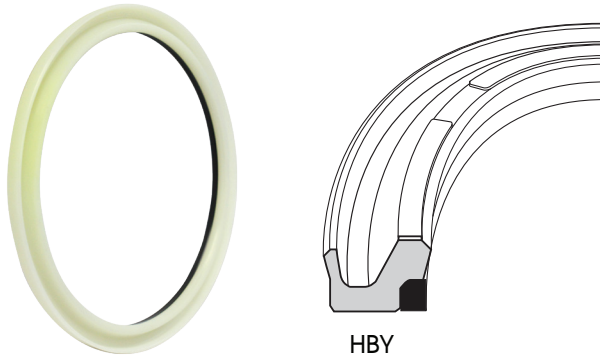


Rod Seals

HBY

(Metric Size)

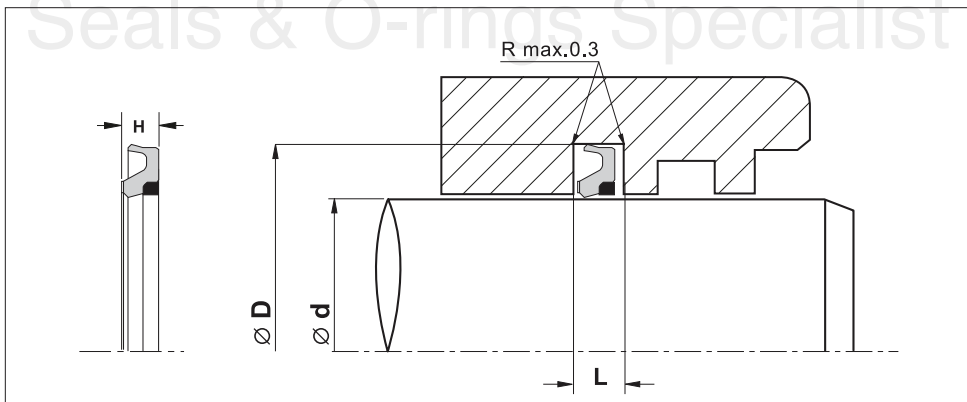


HBY

Material	Pressure (Bar)	Temp. (°C)	Speed (m/s)
PU + POM	350	-30/+100	1

- Used together with rod packing to absorb the impact at high load
- Isolate high temperature fluid and improve the durability of rod packing
- Can leak back pressure and eliminate the pressure between rod packing and buffer ring

Installation Recommendation



Surface roughness	Ra	Rt	Chamfers	
Sliding surface	≤ 0.3 μm	≤ 4 μm	D	C
Surface of housing	≤ 1.8 μm	≤ 10 μm	< 60	4.0
Sides of housing	≤ 3.0 μm	≤ 16 μm	60-120	5.0
R = 0.3 or below			120-180	6.5
			180-250	7.5
			250-500	10.0

- ต้องการข้อมูลเพิ่มเติมหรือรายละเอียดเพิ่มเติมติดต่อที่ โทร. 02-8810555

Rod U-Cup



(Metric Size)

Rod Dia.	Groove Dia.	Seal Height	Groove Width	Reference	Reference
d	D	H	L		
35.5	51.0	6.0	6.3	HBY-35.5	FQ0795F0
40.0	55.5	6.0	6.3	HBY-40.0	FQ0253F1
45.0	60.5	6.0	6.3	HBY-45.0	FQ0254F1
50.0	65.5	6.0	6.3	HBY-50.0	FQ0255F1
55.0	70.5	6.0	6.3	HBY-55.0	FQ0256F1
60.0	75.5	6.0	6.3	HBY-60.0	FQ0257F1
65.0	80.5	6.0	6.3	HBY-65.0	FQ0258F1
70.0	85.5	6.0	6.3	HBY-70.0	FQ0244F1
75.0	90.5	6.0	6.3	HBY-75.0	FQ0245F1
80.0	95.5	6.0	6.3	HBY-80.0	FQ0246F1
85.0	100.5	6.0	6.3	HBY-85.0	FQ0259F1
90.0	105.5	6.0	6.3	HBY-90.0	FQ0260F1
95.0	110.5	6.0	6.3	HBY-95.0	FQ0575F0
100.0	115.5	6.0	6.3	HBY-100.0	FQ0261F1
105.0	120.5	6.0	6.3	HBY-105.0	FQ0629F0
110.0	125.5	6.0	6.3	HBY-110.0	FQ0262F1
115.0	130.5	6.0	6.3	HBY-115.0	FQ0868F0
120.0	135.5	6.0	6.3	HBY-120.0	FQ0263F1
125.0	140.5	6.0	6.3	HBY-125.0	FQ0842F0
130.0	145.5	6.0	6.3	HBY-130.0	FQ0264F1
132.0	147.5	6.0	6.3	HBY-132.0	FQ0784F1
135.0	150.5	6.0	6.3	HBY-135.0	FQ0904F0
140.0	155.5	6.0	6.3	HBY-140.0	FQ0265F1
150.0	165.5	6.0	6.3	HBY-150.0	FQ0871F1
160.0	175.5	6.0	6.3	HBY-160.0	FQ0433F1
170.0	185.5	6.0	6.3	HBY-170.0	FQ0603F0
180.0	195.5	6.0	6.3	HBY-180.0	FQ0451F0
190.0	205.5	6.0	6.3	HBY-190.0	FQ0646F0
200.0	221.0	7.7	8.0	HBY-200.0	FQ0830F0
210.0	231.0	7.7	8.0	HBY-210.0	FQ0824F0