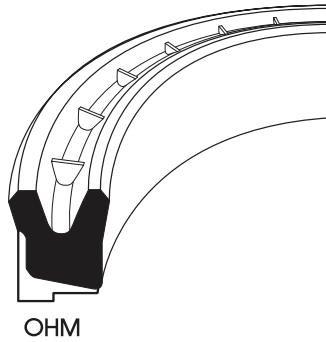


Piston Seals (Single Acting)

OHM

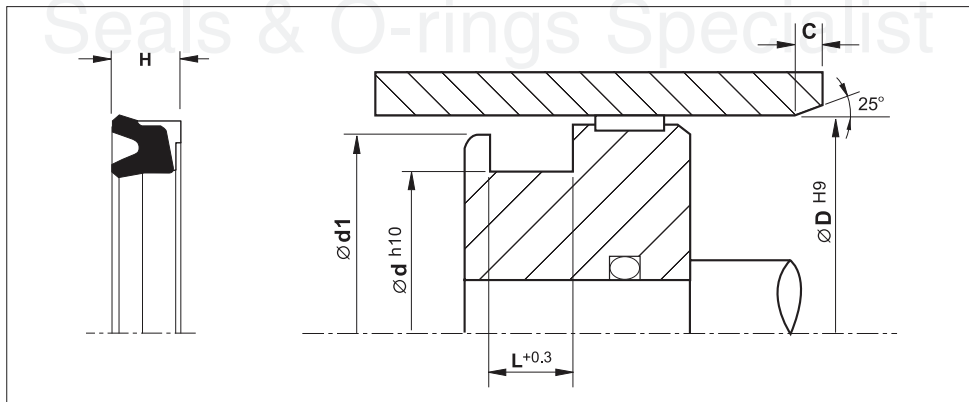
(Imperial Size)



Material	Pressure (Bar)	Temp. (°c)	Speed (m/s)
NBR+Nylon	250	-30 +100	0.5

- Good resistance to clearance extrusion.
- Simple construction groove.
- Excellent wear resistance.

Installation Recommendation



Surface roughness

Ra

Rt

Chamfers

Sliding surface

$\leq 0.3 \mu\text{m}$

$\leq 4 \mu\text{m}$

D

C

Surface of housing

$\leq 1.8 \mu\text{m}$

$\leq 10 \mu\text{m}$

32-63

4.0

Sides of housing

$\leq 3.0 \mu\text{m}$

$\leq 16 \mu\text{m}$

63-100

5.0

100-140

6.0

140-250

7.0

- ต้องการข้อมูลเพิ่มเติมหรือรายละเอียดเพิ่มเติมติดต่อที่ โทร. 02-8810555 •

U-Cup OHM



(Metric Size)

Nominal Part Size			Reference	Reference
OD	ID	H		
45.0	27.0	12.10	OHM-045	PTU-045
50.0	32.0	12.10	OHM-050	PTU-050
55.0	37.0	12.10	OHM-055	PTU-055
60.0	42.0	12.10	OHM-060	PTU-060
65.0	47.0	12.10	OHM-065	PTU-065
70.0	48.0	14.50	OHM-070	PTU-070
80.0	58.0	14.50	OHM-080	PTU-080
90.0	68.0	14.50	OHM-090	PTU-090
100.0	78.0	14.50	OHM-100	PTU-100
110.0	88.0	14.50	OHM-110	PTU-110
115.0	93.0	14.50	OHM-115	PTU-115
120.0	98.0	14.50	OHM-120	PTU-120
125.0	103.0	14.50	OHM-125	PTU-125
130.0	108.0	14.50	OHM-130	PTU-130
140.0	118.0	14.50	OHM-140	PTU-140
150.0	128.0	14.50	OHM-150	PTU-150
160.0	138.0	14.50	OHM-160	PTU-160
170.0	148.0	14.50	OHM-170	PTU-170
180.0	158.0	14.50	OHM-180	PTU-180
190.0	168.0	14.50	OHM-190	PTU-190
200.0	178.0	14.50	OHM-200	PTU-200

Seals & O-rings Specialist