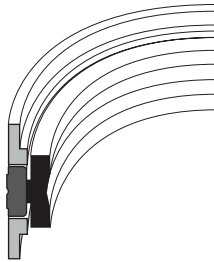


Compact Seal

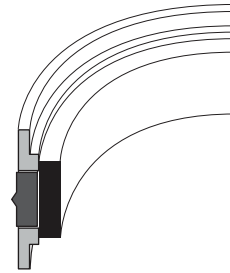
Piston Seals (Double Acting)

H-753

(Metric Size)



H-753 (A)

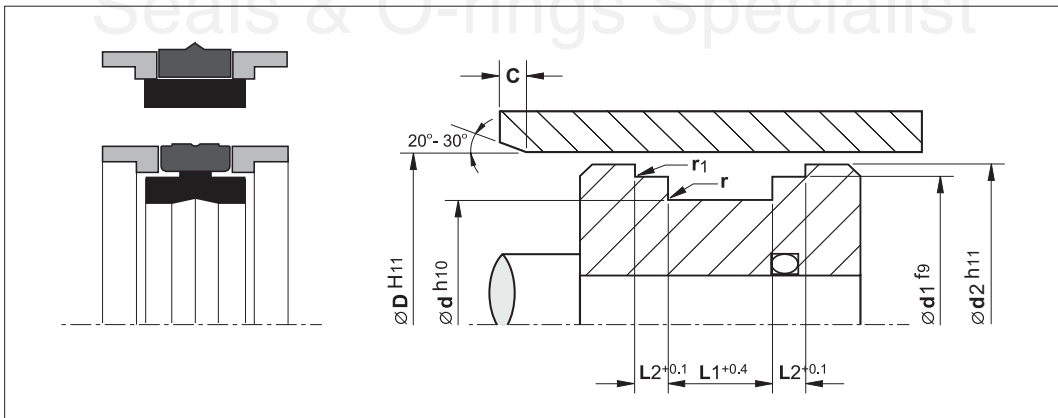


H-753 (B)

Material	Pressure (Bar)	Temp. (°C)	Speed (m/s)
PU-NBR-POM	400	-30 +100	0.5

- Long life-deu to the wear-resistant polyurethane slip rings
- Easy installation

Installation Recommendation



Surface roughness	Ra	Rt	Chamfers	
Sliding surface	≤ 0.3 μm	≤ 4 μm	D	C
Surface of housing	≤ 1.8 μm	≤ 10 μm	< 60	4.0
Sides of housing	≤ 3.0 μm	≤ 16 μm	60-120	5.0
			120-180	6.5
			180-250	7.5
			250-320	10.0

Compact Seal



(Metric Size)

Bore Dia.	Groove Dimensions									Profile	Reference
	D	TOL H11	d	TOL h10	d1	TOL f9	d2	TOL h11	L1 +0.4		
40	+0.16 +0.00	26	+0.000 -0.084	36.00	-0.025 -0.087	39.00	+0.00 -0.16	15.5	2.60	B	6916500
40	+0.16 +0.00	30	+0.000 -0.084	36.50	-0.025 -0.087	39.00	+0.00 -0.16	10.0	5.00	A	6915100*
45	+0.16 +0.16	31	+0.000 -0.100	41.00	-0.025 -0.087	44.00	+0.00 -0.16	15.5	2.60	B	6914500
50	+0.16 +0.00	34	+0.000 -0.100	46.00	-0.025 -0.087	49.00	+0.00 -0.16	20.5	3.10	B	6916600
50	+0.16 +0.00	34	+0.000 -0.100	45.40	-0.025 -0.087	48.50	+0.00 -0.16	18.4	6.35	A	6915200
55	+0.19 +0.00	39	+0.000 -0.100	51.00	-0.030 -0.104	54.00	+0.00 -0.19	20.5	3.10	B	6914600
60	+0.19 +0.00	44	+0.000 -0.100	56.00	-0.030 -0.104	58.50	+0.00 -0.19	20.5	3.10	A	6916300
60	+0.19 +0.00	44	+0.000 -0.100	55.40	-0.030 -0.104	58.50	+0.00 -0.19	18.4	6.35	A	8672110
63	+0.19 +0.00	47	+0.000 -0.100	58.40	-0.030 -0.104	61.50	+0.00 -0.19	18.4	6.35	A	6915300
63	+0.19 +0.00	47	+0.000 -0.100	59.00	-0.030 -0.104	62.00	+0.00 -0.19	20.5	3.10	A	6916100
65	+0.19 +0.00	49	+0.000 -0.100	61.00	-0.030 -0.104	64.00	+0.00 -0.19	20.5	3.10	B	6916700
70	+0.19 +0.00	50	+0.000 -0.100	64.20	-0.030 -0.104	68.30	+0.00 -0.19	22.4	6.35	A	6915400
70	+0.19 +0.00	54	+0.000 -0.120	66.00	-0.030 -0.104	69.00	+0.00 -0.19	20.5	3.10	B	6916800
80	+0.19 +0.00	60	+0.000 -0.120	74.15	-0.030 -0.104	78.30	+0.00 -0.19	22.4	6.35	A	6915500
80	+0.19 +0.00	62	+0.000 -0.120	76.00	-0.030 -0.104	79.00	+0.00 -0.19	22.5	3.60	B	6916400
90	+0.22 +0.00	70	+0.000 -0.120	84.15	-0.036 -0.123	88.30	+0.00 -0.22	22.4	6.35	A	6915600
90	+0.22 +0.00	72	+0.000 -0.120	86.00	-0.036 -0.123	89.00	+0.00 -0.22	22.5	3.60	B	6916900
100	+0.22 +0.00	75	+0.000 -0.120	93.15	-0.036 -0.123	98.00	+0.00 -0.22	22.4	6.35	A	6915700
100	+0.22 +0.00	82	+0.000 -0.120	93.15	-0.036 -0.123	98.00	+0.00 -0.22	22.5	3.60	B	6918660
110	+0.22 +0.00	85	+0.000 -0.140	103.10	-0.036 -0.123	108.00	+0.00 -0.22	22.4	6.35	A	6915800
110	+0.22 +0.00	92	+0.000 -0.140	106.00	-0.036 -0.123	109.00	+0.00 -0.22	22.5	3.60	B	6914700
125	+0.25 +0.00	100	+0.000 -0.140	118.10	-0.036 -0.123	123.00	+0.00 -0.25	25.4	6.35	A	6915900
125	+0.25 +0.00	103	+0.000 -0.140	121.00	-0.042 -0.143	124.00	+0.00 -0.25	26.5	5.10	B	6917000

Compact Seal

(Metric Size)

Bore Dia.	Groove Dimensions									Profile	Reference
D	TOL H11	d	TOL h10	d1	TOL f9	d2	TOL h11	L1 +0.4	L2 +0.1-0		
140	+0.25 +0.00	118	+0.000 -0.140	136.00	-0.042 -0.143	139.00	+0.00 -0.25	26.5	5.10	A	2356010
150	+0.25 +0.00	128	+0.000 -0.160	146.00	-0.042 -0.143	149.00	+0.00 -0.25	26.5	5.10	A	2349910
160	+0.25 +0.00	138	+0.000 -0.160	156.00	-0.042 -0.143	159.00	+0.00 -0.25	26.5	5.10	A	2349810
165	+0.25 +0.00	143	+0.000 -0.160	161.00	-0.042 -0.143	164.00	+0.00 -0.25	26.5	5.10	A	2362310
180	+0.25 +0.00	158	+0.000 -0.160	176.00	-0.042 -0.143	179.00	+0.00 -0.25	26.5	5.10	A	2349510
200	+0.29 +0.00	175	+0.000 -0.160	196.00	-0.050 -0.165	199.00	+0.00 -0.29	31.5	6.60	A	2347010
250	+0.29 +0.00	220	+0.000 -0.185	242.90	-0.050 -0.165	247.85	+0.00 -0.29	35.4	6.35	A	2340710

* Owing to the seal section, diameter 40 is manufactured using only 3 parts

SEAL
Seals & O-rings Specialist