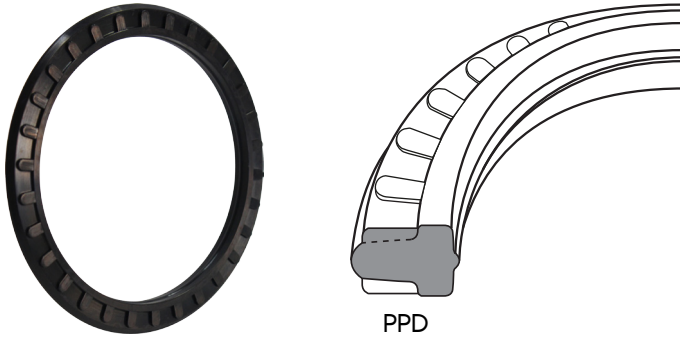


Piston Seals

PPD

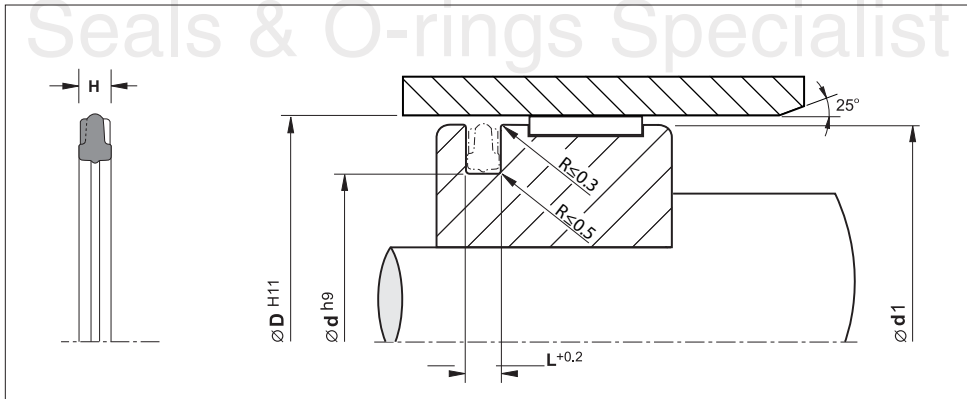
(Metric Size)



Material	Pressure (Bar)	Temp. (°C)	Speed (m/s)
NBR	10	-20/+80	1

- Compact packings used exclusively of double acting piston.
- Excellent frictional resistance.
- Anti-twisting and distortion.
- Long service life.

Installation Recommendation



Surface roughness	Ra	Rt	Chamfers	
Sliding surface	≤ 0.3 μm	≤ 4 μm	D	C
Surface of housing	≤ 1.8 μm	≤ 10 μm	< 60	4.0
Sides of housing	≤ 3.0 μm	≤ 16 μm	60-120	5.0
			120-180	6.5
			180-250	7.5
			250-500	10.0

- ต้องการข้อมูลเพิ่มเติมหรือรายละเอียดเพิ่มเติมติดต่อที่ โทร. 02-8810555 •

# Piston PPD

(Metric Size)

Packing & Groove dimension						Reference	
D	d	H	L		d1		C
10	5.4	1.6	1.8	+0.10	9.7	1.5	PPD-010
12	7.4	1.6	1.8		11.7	1.5	PPD-012
15	10.4	1.6	1.8		14.7	1.5	PPD-015
16	11.4	1.6	1.8		15.7	1.5	PPD-016
20	14.0	2.2	2.4		19.5	1.5	PPD-020
25	17.0	3.0	3.2	+0.15	24.5	2.0	PPD-025
30	22.0	3.0	3.2		29.5	2.0	PPD-030
32	24.0	3.0	3.2		31.5	2.0	PPD-032
40	32.0	3.0	3.2		39.5	2.0	PPD-040
50	40.0	3.7	4.0	+0.25	49.5	2.5	PPD-050
63	53.0	3.7	4.0	+0.25	62.4	2.5	PPD-063
80	65.0	5.6	6.0		79.4	3.0	PPD-080
100	85.0	5.6	6.0		99.4	3.0	PPD-100
125	110.0	5.6	6.0		124.3	3.5	PPD-125
140	125.0	5.6	6.0		139.3	3.5	PPD-140
160	140.0	7.6	8.0	+0.25	159.3	5.0	PPD-160
180	160.0	7.6	8.0		179.3	5.0	PPD-180

Seals & O-rings Specialist