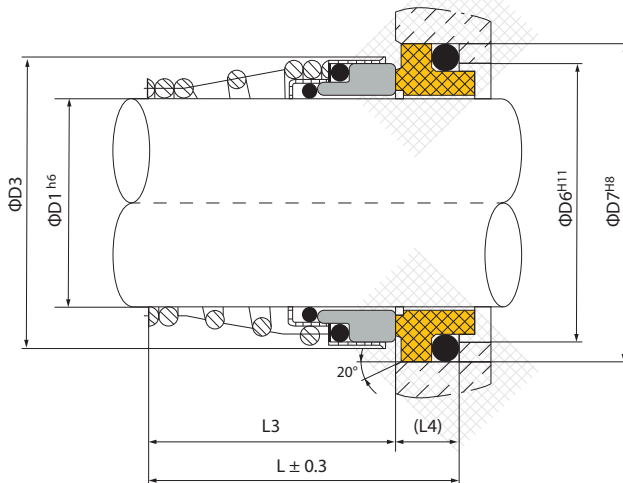


## CM 155



Pressure (BAR)	Temp. (°c)	Speeds (m/s)
7	-20 +100°C	13

Used in clean water pumps, circulation pumps.



# Mechanical seal

## CM 155

D1	D3	D6	D7	L	L3	L4	Reference
10	20.0	14.0	18.1	20.5	15	5.5	CM155-10
11	22.0	16.5	20.6	23.5	18	5.5	CM155-11
12	22.0	16.5	20.6	23.5	18	5.5	CM155-12
13	25.0	19.0	23.1	28.0	22	6.0	CM155-13
14	25.0	19.0	23.1	28.0	22	6.0	CM155-14
15	29.0	21.0	26.9	29.0	22	7.0	CM155-15
16	29.0	21.0	26.9	30.0	23	7.0	CM155-16
17	29.0	21.0	26.9	30.0	23	7.0	CM155-17
18	33.0	25.0	30.9	32.0	24	8.0	CM155-18
19	33.0	25.0	30.9	33.0	25	8.0	CM155-19
20	33.0	25.0	30.9	33.0	25	8.0	CM155-20
21	38.0	30.0	35.4	33.0	25	8.0	CM155-21
22	38.0	30.0	35.4	33.0	25	8.0	CM155-22
23	38.0	30.0	35.4	35.0	27	8.0	CM155-23
24	38.0	30.0	35.4	35.0	27	8.0	CM155-24
25	40.0	33.0	38.2	35.0	27	8.5	CM155-25
28	46.0	38.0	43.3	38.0	29	9.0	CM155-28
29	46.0	38.0	43.3	39.0	30	9.0	CM155-29
30	46.0	38.0	43.3	39.0	30	9.0	CM155-30
32	46.0	38.0	43.3	39.0	30	9.0	CM155-32
33	48.0	45.0	53.5	50.5	39	11.5	CM155-33
35	50.0	45.0	53.5	50.5	39	11.5	CM155-35
38	58.0	52.0	60.5	50.5	39	11.5	CM155-38
40	58.0	52.0	60.5	50.5	39	11.5	CM155-40