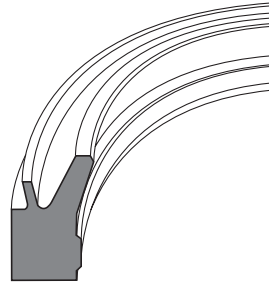


Wiper - GHY

Wipers

GHY, PU5

(Metric Size)

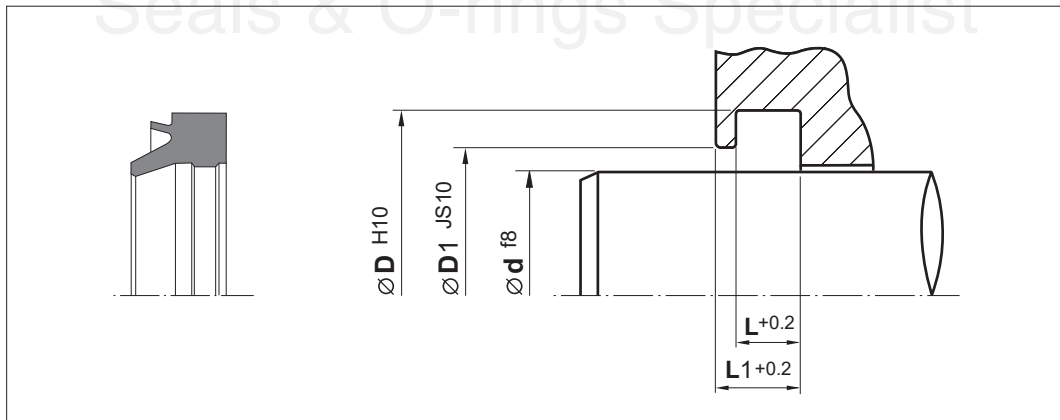


GPY, PU5

Material	Temp. (°C)	Speed (m/s)
PU	-30 +100	2

- An external static lip helps control the ingress of contaminants from around the wiper in the groove.
- A support heel avoids wiper tip up.
- Excellent wiping ability and preservation of the lubricating film.

Installation Recommendation



Surface roughness	Ra	Rt
Sliding surface	$\leq 0.3 \mu\text{m}$	$\leq 4 \mu\text{m}$
Surface of housing	$\leq 1.8 \mu\text{m}$	$\leq 10 \mu\text{m}$
Sides of housing	$\leq 3.0 \mu\text{m}$	$\leq 16 \mu\text{m}$

Wiper - GHY

(Metric Size)

Rod Dia.	Groove Dia.	Groove Width.	Part Length	Bore Dia.	Reference (For order processing)	Reference (For order processing)
d	D	L	L1	D1		
16.0	24.0	5.0	7.0	21.5	GHY 016-024-5/7.8	PU5 016-024-5/7
18.0	26.0	5.0	7.0	23.5	GHY 018-026-5/7.8	PU5 018-026-5/7
20.0	28.0	5.0	7.0	25.5	GHY 020-028-5/7.8	PU5 020-028-5/7
22.0	30.0	5.0	7.0	27.5	GHY 022-030-5/7.8	PU5 022-030-5/7
25.0	33.0	5.0	7.0	30.5	GHY 025-033-5/7.8	PU5 025-033-5/7
28.0	36.0	5.0	7.0	33.5	GHY 028-036-5/7.8	PU5 028-036-5/7
30.0	38.0	5.0	7.0	35.5	GHY 030-038-5/7.8	PU5 030-038-5/7
32.0	40.0	5.0	7.0	37.5	GHY 032-040-5/7.8	PU5 032-040-5/7
35.0	43.0	5.0	7.0	40.5	GHY 035-043-5/7.8	PU5 035-043-5/7
36.0	44.0	5.0	7.0	41.5	GHY 036-044-5/7.8	PU5 036-044-5/7
40.0	48.0	5.0	7.0	45.5	GHY 040-048-5/7.8	PU5 040-048-5/7
45.0	53.0	5.0	7.0	50.5	GHY 045-053-5/7.8	PU5 045-053-5/7
50.0	58.0	5.0	7.0	55.5	GHY 050-058-5/7.8	PU5 050-058-5/7
56.0	66.0	6.3	8.3	63.0	GHY 056-066-6.3/9	PU5 056-066-6.3/8.3
63.0	73.0	6.3	8.3	70.0	GHY 063-073-6.3/9	PU5 063-073-6.3/8.3
70.0	80.0	6.3	8.3	77.0	GHY 070-080-6.3/9	PU5 070-080-6.3/8.3
80.0	90.0	6.3	8.3	87.0	GHY 080-090-6.3/9	PU5 080-090-6.3/8.3
90.0	100.0	6.3	8.3	97.0	GHY 090-100-6.3/9	PU5 090-100-6.3/8.3
100.0	115.0	9.5	12.0	110.0	GHY 100-115-9.5/13	PU5 100-115-9.5/12
110.0	125.0	9.5	12.0	120.0	GHY 110-125-9.5/13	PU5 110-125-9.5/12
125.0	140.0	9.5	12.0	135.0	GHY 125-140-9.5/13	PU5 125-140-9.5/12
140.0	155.0	9.5	12.0	150.0	GHY 140-155-9.5/13	PU5 140-155-9.5/12
160.0	175.0	9.5	12.0	170.0	GHY 160-175-9.5/13	PU5 160-175-9.5/12
180.0	195.0	9.5	12.0	190.0	GHY 180-195-9.5/13	PU5 180-195-9.5/12
200.0	215.0	9.5	12.0	210.0	GHY 200-215-9.5/13	PU5 200-215-9.5/12