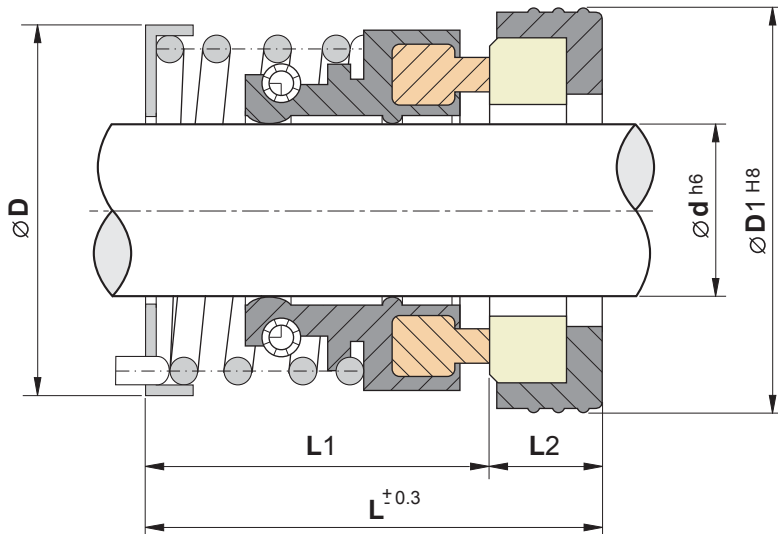


CM 156



Pressure (BAR)	Temp. (°c)	Speeds (m/s)
5	-20+100°C	5

Used in clean water pumps, circulation pumps and general industrial pumps.



Mechanical seal

CM 156

d	D	D1	L	L1	L2	Reference
8	17.0	18.0	18.0	13.5	4.5	CM156-8
8	17.0	21.0	18.0	13.0	5.0	CM156-8A
9	18.5	21.0	22.0	16.0	6.0	CM156-9
10	21.0	22.0	23.0	17.0	6.0	CM156-10
11	21.0	26.0	23.0	16.5	6.5	CM156-11
12	23.0	26.0	24.0	17.5	6.5	CM156-12
13	23.5	26.0	24.0	17.5	6.5	CM156-13
14	25.0	28.0	25.0	18.5	6.5	CM156-14
15	25.0	28.0	25.0	18.5	6.5	CM156-15
16	27.5	32.0	27.0	19.0	8.0	CM156-16
20	32.0	38.0	31.0	23.0	8.0	CM156-20
25	39.0	44.0	33.0	24.0	9.0	CM156-25
30	39.0	50.0	35.0	25.5	9.5	CM156-30