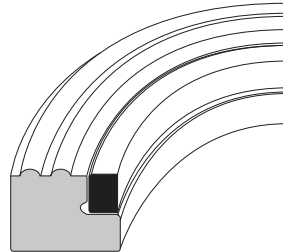
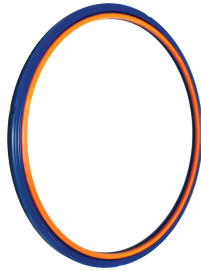


Rod Seals

H-653

(Metric Size)

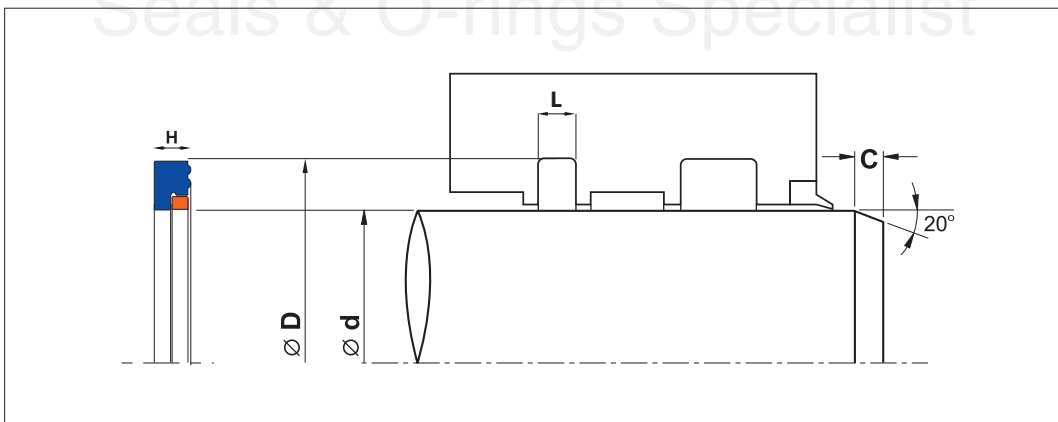


H-653

Material	Pressure (Bar)	Temp. (°C)	Speed (m/s)
PU-POM	700	-45 +110	1

- Prevents inter-seal pressure build up.
- Interchangeable with common PTFE buffer seal housings.
- Excellent temperature range.
- Long seal life.
- Easy to install.

Installation Recommendation



Surface roughness

Ra

Rt

Chamfers

Sliding surface

≤ 0.3 μm

≤ 4 μm

Surface of housing

≤ 1.8 μm

≤ 10 μm

Note: It is recommended to have 50% to 90% of the working surface material contact area value.

D

C

<60

4.0

60-120

5.0

120-180

6.5

180-250

7.5

250-500

10.0

Rod Seals



(Metric Size)

Rod Dia.	Groove Dia.	Seal Height	Reference (For order processing)	Reference
d	D	L		
40.0	55.0	6.3	H653-040-055.0	4772710
45.0	56.0	4.2	H653-045-056.0	4575510†
45.0	60.5	6.3	H653-045-060.5	4772810
50.0	65.5	6.3	H653-050-065.5	4403210
55.0	70.5	6.3	H653-055-070.5	4403310
60.0	75.5	6.3	H653-060-075.5	4403410
63.0	78.5	6.3	H653-063-078.5	4751110†
65.0	80.5	6.3	H653-065-080.5	4742110
70.0	85.5	6.3	H653-070-085.5	4742310†
75.0	90.5	6.3	H653-075-090.5	4742410
80.0	95.5	6.3	H653-080-095.5	4742510†
85.0	100.5	6.3	H653-085-100.5	4742610
90.0	105.5	6.3	H653-090-105.5	4523710†
95.0	110.5	6.3	H653-095-110.5	4742810
100.0	115.5	6.3	H653-100-115.5	4742910†
110.0	125.5	6.3	H653-110-125.5	4743010†
124.0	139.5	6.3	H653-124-139.5	4824710
125.0	140.5	6.3	H653-125-140.5	4824810†
130.0	145.5	6.3	H653-130-145.5	4830210
135.0	150.5	6.3	H653-135-150.5	4824910
140.0	155.5	6.3	H653-140-155.5	4770810†
150.0	165.5	6.3	H653-150-165.5	4825010
150.0	170.0	10.0	H653-150-170.0	4804110
155.0	170.5	6.3	H653-155-170.5	4825110

Rod Seals



(Metric Size)

Rod Dia.	Groove Dia.	Seal Height	Reference (For order processing)	Reference
d	D	L		
160.0	175.5	6.3	H653-160-175.5	4825210‡
170.0	185.5	6.3	H653-170-185.5	4820210
180.0	195.5	6.3	H653-180-195.5	4804010‡
215.0	236.0	8.1	H653-215-236.0	4705710

Note: Part numbers suffixed by "‡" indicate housing sizes to meet ISO 7425-2.